

A2

7722 COMBINE

JOHN DEERE 7722 COMBINE

(SPECIFICATIONS AND DESIGN SUBJECT TO CHANGE WITHOUT NOTICE)

IMPORTANT

THIS PARTS CATALOG CONTAINS ONLY THAT PARTS INFORMATION THAT IS UNIQUE TO THE 7722 COMBINE AND ITS PLATFORMS. VINTAGE IS DETERMINED BY SERIAL NUMBERS. IT IS IMPORTANT THAT THE CORRECT SERIAL NUMBER BE USED WHEN ORDERING PARTS.

NOTE

FOR COMBINE SEPARATOR INFORMATION, REFER TO PC-1667 FOR THE 7720 COMBINE.

FOR 6466AH-02 ENGINE AND HYDROSTATIC DRIVE INFORMATION, REFER TO PC-1668 FOR THE 8820 COMBINE.

FOR PLATFORM INFORMATION, REFER TO PC-1558 FOR THE 200 SERIES PLATFORMS.

A3

7722 COMBINE

PRODUCT IDENTIFICATION NUMBER (PIN) PLATE

USE ALL NUMBERS AND LETTERS SHOWN ON THE PRODUCT IDENTIFICATION NUMBER PLATE IN WARRANTY CORRESPONDENCE.

THE PRODUCT IDENTIFICATION NUMBER PLATE (PIN) IS LOCATED NEAR THE RIGHT-HAND SIDE OF THE TOOL BOX. AN EXAMPLE OF THE TWO-LINES ON THIS PIN PLATE IS:

H07722X615000
COMBINE

(FIRST LINE)

H0 - MANUFACTURING UNIT (HARVESTER WORKS)
7722 - MODEL IDENTIFIER
X - CONFIGURATIN CODE/MODEL IDENTIFIER SUFFIX
615000 - SEQUENTIAL NUMBER USED IN SERIAL NO. COLUMN

(SECOND LINE)

COMBINE - TYPE OF PRODUCT

ENGINE SERIAL NUMBER

6466AH02001000RG

6 - DESIGNATES NUMBER OF CYLINDERS
466 - DESIGNATES CUBIC INCH DISPLACEMENT
A - DESIGNATES FUEL TYPE OF ENGINE
H - DESIGNATES FACTORY (HARVESTER WORKS)
02 - DESIGNATES ENGINE VERSION
001000 - DESIGNATES ENGINE SERIAL NUMBER
RG - DESIGNATES MANUFACTURER (JOHN DEERE ENGINE WORKS)

THE ENGINE SERIAL NUMBER PLATE IS LOCATED ON THE FRONT SIDE OF ENGINE BLOCK ABOVE STARTER.

SERIAL NUMBER LISTING INFORMATION

SERIAL NUMBER INFORMATION IS LISTED TO SHOW ON WHICH MACHINES EACH PART CAN BE USED; FOR EXAMPLE:

- THE PART CAN BE USED ON ALL MACHINES.
- 000000- THE PART CAN BE USED ON ALL MACHINES BEGINNING WITH THE SERIAL NUMBER LISTED.
- 000000 THE PART CAN BE USED ON ALL MACHINES UP TO AND INCLUDING THE SERIAL NUMBER LISTED.
- 000000-000000 THE PART CAN BE USED ON ALL MACHINES BETWEEN AND INCLUDING THE SERIAL NUMBERS LISTED.

WHEN XXXXXX'S ARE LISTED IN PLACE OF A SERIAL NUMBER, A SERIAL NUMBER CHANGE WAS MADE BUT THE EXACT SERIAL NUMBER WAS NOT AVAILABLE WHEN THE CATALOG WAS PRODUCED.

DIRECTION ARROW

ARROWS ARE USED WITH ILLUSTRATIONS TO INDICATE THE FRONT OF THE UNIT. "RIGHT-HAND" AND "LEFT-HAND" SIDES ARE DETERMINED BY FACING IN THE DIRECTION OF MACHINE FORWARD TRAVEL.

BOX-ENCLOSED ILLUSTRATIONS

A KEY NUMBER, SHOWN IN THE PARTS LIST, IS ASSIGNED TO A BOX ENCLOSING ALL PARTS SOLD AS A SERVICE ASSEMBLY. A BOX NOT KEYED INCLUDES NON-CURRENT PARTS.

KITS

KIT INFORMATION WILL BE FOUND IMMEDIATELY FOLLOWING THE STORY IN WHICH IT IS USED. THE ILLUSTRATION IS REPEATED WITH ONLY THE KIT PARTS CALLED OUT AND WITH ALL OTHER PARTS SHOWN IN PHANTOM FOR RELATIONSHIP.

JDM REMANUFACTURED COMPONENTS

THE SERVICE PARTS LISTED IN THIS CATALOG ARE INTENDED FOR THE REPAIR OF ORIGINAL EQUIPMENT COMPONENTS. ALTHOUGH MOST SERVICE PARTS MAY BE USED TO REPAIR REMANUFACTURED COMPONENTS, THE REMANUFACTURED DESIGN MAY CHANGE PARTS SUFFICIENTLY SO THAT SERVICE PARTS ARE INADEQUATE OR NOT USABLE.

BOLT AND CAP SCREW STRENGTH IDENTIFICATION

BOLTS AND CAP SCREWS REQUIRED TO HAVE HIGH-STRENGTH QUALITIES EQUIVALENT TO SAE GRADE 8 ARE IDENTIFIED THROUGHOUT THIS CATALOG BY THE DESCRIPTION HS SAE 8. ALL STANDARD BOLTS AND CAP SCREWS ARE SAE GRADE 5 OR LOWER.

SI UNITS OF MEASURE

METRIC DIMENSIONS ARE GIVEN, WHERE APPLICABLE, THROUGHOUT THIS PARTS CATALOG.

CHANGE INDICATOR LINE

CHANGES AFFECTING THE ORDERING OF PARTS ARE IDENTIFIED BY VERTICAL LINES MARKED IN THE LEFT-HAND MARGIN OF REVISED PARTS LISTING IMAGES. A LINE IS ALSO AT THE LEFT-HAND EDGE OF THE SAME PART NUMBER IN THE NUMERICAL INDEX TO SHOW THE LOCATION OF REVISED INFORMATION.

**Thanks very much for your reading,
Want to get more information,
Please click here, Then get the complete
manual**

JustClickHere 

NOTE:

**If there is no response to click on the link above,
please download the PDF document first, and then
click on it.**

**Have any questions please write to me:
admin@servicemanualperfect.com**

A6

7722 COMBINE

ALPHABETICAL INDEX - CONTINUED

GRID		PAGE	GRID		PAGE
E					
A19	ENGINE COMPARTMENT FRAME	18	B17	FINAL DRIVE PLANETARY PINION	44
A19	ENGINE COMPARTMENT MIDDLE DOOR	18	B21	FINAL DRIVE SHAFT	49
A9	ENGINE POWERSHAFT	8	D16	FINGERS, FEEDER BEATER	100
F24	ENGINE SHEAVES	162	A15	FIREWALL	14
F24	ENGINE, BELT	162	C15	FRAME	71
F24	ENGINE, TIGHTENERS	162	A17	FRAME, CORNER	16
A23	EXHAUST PIPE	22	A19	FRAME, ENGINE COMPARTMENT	18
D21	EXTENSION, FEEDER HOUSE	106	E3	FRAME, FEEDER HOUSE	112
F1	EXTENSION, FRONT, GRAIN TANK	138	D10	FRAME, PLATFORM	92
F1	EXTENSION, L.H., GRAIN TANK	138	C9	FRAME, REAR AXLE	64
F1	EXTENSION, R.H., GRAIN TANK	138	A17	FRONT PANEL	16
F1	EXTENSION, REAR, GRAIN TANK	138	B3	FUEL SHUT-OFF CONTROL	28
F1	EXTENSIONS, GRAIN TANK	138	F8	FUSE, LEVELING CAB	146
F					
B6	FAN DRIVE SHIELD	32	G		
C23	FAN DUCT	79	B9	GASKET, TRANSMISSION AND DIFFERENTIAL HSG	35
A15	FAN SHROUD	14	B16	GEARS, DIFFERENTIAL	42
A11	FAN, RADIATOR	10	B19	GEARS, FINAL DRIVE	46
D18	FEEDER BEATER DRIVE	103	B12	GEARS, TRANSMISSION	38
D19	FEEDER BEATER DRIVE SHIELDS	104	B10	GEARS, TRANSMISSION COUNTERSHAFT	36
D18	FEEDER BEATER DRIVE, HUB	103	E22	GRAIN TANK	134
D18	FEEDER BEATER DRIVE, SLIP CLUTCH	103	F1	GRAIN TANK EXTENSIONS	138
D19	FEEDER BEATER DRIVES	104	E24	GRAIN TANK, SKIRTS	136
D17	FEEDER BEATER DRUM	101	A24	GREASE CUP, AIR CLEANER	23
D16	FEEDER BEATER FINGERS	100	H		
D16	FEEDER BEATER HEADS	100	E1	HANDLE, FEEDER HOUSE BOTTOM SHEETS	110
D16	FEEDER BEATER SHAFTS	100	D1	HANDLES, CAB DOORS	82
D16	FEEDER BEATER SHIELDS	100	A19	HANDRAIL, DOOR, ENGINE COMPARTMENT	18
E7	FEEDER CONVEYOR BRACKET	116	C24	HANDRAIL, L.H. DOOR	80
E6	FEEDER CONVEYOR CHAIN	115	F8	HARNES, LEVELING CAB	146
E7	FEEDER CONVEYOR DRIVE CHAIN	116	F10	HARNES, WIRING, LEVELING SYSTEM	148
E8	FEEDER CONVEYOR DRIVE CHAIN GUIDES	117	D16	HEADS, FEEDER BEATER	100
E5	FEEDER CONVEYOR FEEDER DRUM	114	E24	HINGE, GRAIN TANK	136
E7	FEEDER CONVEYOR IDLER	116	C9	HITCH, REAR AXLE	64
E5	FEEDER CONVEYOR IDLER SHAFT	114	D10	HOOD, PLATFORM	92
E1	FEEDER HOUSE BOTTOM SHEETS	110	F3	HORIZONTAL UNLOADING AUGER SWIVEL SHROUD ..	140
E12	FEEDER HOUSE DRIVE	123	A25	HOSE, AIR INTAKE	25
D21	FEEDER HOUSE EXTENSION	106	A23	HOSE, ASPIRATOR	22
E3	FEEDER HOUSE FRAME	112	F18	HOSES, LEVELING SYSTEM	156
E15	FEEDER HOUSE LOWER MOUNTINGS	126	A13	HOSES, RADIATOR	12
E15	FEEDER HOUSE LOWER SHAFT	126	B16	HOUSING, DIFFERENTIAL	42
E15	FEEDER HOUSE LOWER SHEAVE	126	A9	HOUSING, ENGINE POWERSHAFT	8
E12	FEEDER HOUSE MIDDLE BELT BRACE	123	B19	HOUSING, INNER, FINAL DRIVE	46
E12	FEEDER HOUSE MIDDLE BELT IDLERS	123	B14	HOUSING, PARKING BRAKE	40
D21	FEEDER HOUSE ROCKER	106	E17	HOUSING, REVERSER GEAR BOX	128
E9	FEEDER HOUSE SHIELD,(R.H.)	119	C12	HOUSING, SPINDLE, REAR WHEELS	68
E10	FEEDER HOUSE SHIELDS (L.H.)	120	B8	HOUSING, TRANSM. AND DIFFERENTIAL	34
E3	FEEDER HOUSE SIDE SHEETS	112	D18	HUB, FEEDER BEATER DRIVE	103
D23	FEEDER HOUSE TOP SHEETS	108	C12	HUB, REAR WHEELS	68
E13	FEEDER HOUSE UPPER SHAFT	124	D8	HYDRAULIC LINES	
E13	FEEDER HOUSE UPPER SPROCKETS	124		CUTTING PLATFORM	90
A24	FILTER, AIR CLEANER	23	B22	HYDROSTATIC DRIVE CONTROL CABLE MOUNTING ...	50
C1	FILTER, HYDRO. DR. AND LEVEL OIL		C1	HYDROSTATIC DRIVE OIL RESERVOIR	54
	RESERVOIR	54	C1	HYDROSTATIC DRIVE OIL RESERVOIR MTG	54
F17	FILTERS, LEVELING SYSTEM	155	B24	HYDROSTATIC DRIVE UNIT	53
B17	FINAL DRIVE AXLE SHAFT	44	B24	HYDROSTATIC DRIVE UNIT SHEAVES	53
B17	FINAL DRIVE BEARINGS	44	B24	HYDROSTATIC DRIVE UNIT SUPPORTS	53
B19	FINAL DRIVE BEARINGS	46	G1	HYDROSTATIC GROUND DRIVE BELTS	164
B19	FINAL DRIVE GEARS	46	G1	HYDROSTATIC GROUND DRIVE SHEAVES	164
B19	FINAL DRIVE INNER HOUSING	46	B6	HYDROSTATIC GROUND DRIVE SHIELD	32
B17	FINAL DRIVE OUTER HOUSING	44			
B19	FINAL DRIVE PINION SHAFT	46			

A7

7722 COMBINE

ALPHABETICAL INDEX - CONTINUED

GRID		PAGE	GRID		PAGE
I					
E7	IDLER, FEEDER CONVEYOR DRIVE CHAIN	116	F22	MOUNTING, CABLES, PLATFORM LEVELING (L.H.).....	160
A11	IDLER, RADIATOR.....	10	F20	MOUNTING, CABLES, PLATFORM LEVELING (R.H.)	158
E12	IDLERS, FEEDER HOUSE MIDDLE BELT.....	123	D5	MOUNTING, COMPRESSOR.....	87
B10	INPUT SHAFT, TRANSMISSION.....	36	B22	MOUNTING, HYDROSTATIC DRIVE CONTROL CABLE	50
G2	INSTRUMENT PANEL DECALS	165	E15	MOUNTINGS, FEEDER HOUSE, LOWER	126
F1	ISOLATOR, WINDOW, GRAIN TANK EXTENSION.....	138	C1	MTG, HYDRO. DR. AND LEVELING OIL RESERVOIR.....	54
K					
F14	KIT, LEVELING SYSTEM.....	152	A23	MUFFLER	22
F16	KIT, SEAL, CYLINDER.....	154	O		
C7	KIT, STEERING CYLINDER.....	61	C1	OIL RESERVOIR, HYDRO. DR. AND LEVELING	54
E22	KNOB, GRAIN TANK	134	B17	OUTER HOUSING, FINAL DRIVE.....	44
L					
C24	LADDER, FRONT.....	80	P		
E22	LATCH, GRAIN TANK	134	A17	PANEL, FRONT	16
G3	LEFT-HAND DECALS	166	E24	PANEL, GRAIN TANK	136
C1	LENS, HYDRO. DR. AND LEVEL OIL RESERVOIR.....	54	B14	PARKING BRAKE.....	40
F8	LEVELING CAB FUSE.....	146	B14	PARKING BRAKE HOUSING	40
F8	LEVELING CAB HARNESS	146	F16	PIN, LEVELING CYLINDER.....	154
F8	LEVELING CAB LIGHTS	146	B12	PINION SHAFT, TRANSMISSION	38
F8	LEVELING CAB SWITCH.....	146	D19	PIVOT SHAFT, FEEDER BEATER DRIVE	104
F22	LEVELING CABLES AND MOUNTING, PLATFORM (L.H.).....	160	D19	PIVOT, FEEDER BEATER DRIVE	104
F20	LEVELING CABLES AND MTG., PLATFORM (R.H.)	158	B17	PLANETARY PINION, FINAL DRIVE	44
F5	LEVELING CONTROL SWITCH BOX	142	F3	PLATE, UNLOADING AUGER SWIVEL SHROUD	140
F16	LEVELING CYLINDER	154	C3	PLATE, WHEEL BRAKES	57
C1	LEVELING OIL RESERVOIR	54	D11	PLATFORM DRIVE SHAFT	94
C1	LEVELING OIL RESERVOIR MTG	54	D10	PLATFORM FRAME.....	92
F7	LEVELING SOLENOID VALVE	145	D10	PLATFORM HOOD.....	92
F12	LEVELING SYSTEM.....	150	F22	PLATFORM LEVELING CABLES AND MOUNTING (L.H.).....	160
G1	LEVELING SYSTEM DRIVE BELTS	164	F20	PLATFORM LEVELING CABLES AND MOUNTING (R.H.)	158
G1	LEVELING SYSTEM DRIVE SHEAVES	164	C6	POWER STEERING CYLINDERS	60
F17	LEVELING SYSTEM FILTER SWITCH	155	A9	POWERSHAFT, ENGINE.....	8
F17	LEVELING SYSTEM FILTERS	155	A22	PRECLEANER	21
F18	LEVELING SYSTEM HOSES.....	156	A25	PRESSURE SWITCH, AIR INTAKE	25
F18	LEVELING SYSTEM LINES.....	156	F12	PUMP, LEVELING SYSTEM	150
F12	LEVELING SYSTEM PUMP.....	150	R		
F11	LEVELING SYSTEM TESTER.....	149	C23	R.H. SEPARATOR SHIELD	79
F10	LEVELING SYSTEM WIRING HARNESS.....	148	A13	RADIATOR	12
F14	LEVELING SYSTEM, KIT.....	152	A11	RADIATOR FAN	10
D23	LEVER, DOOR, FEEDER HOUSE TOP SHEETS	108	A11	RADIATOR FAN DRIVES.....	10
F8	LIGHTS, LEVELING CAB.....	146	A13	RADIATOR HOSES	12
F6	LIMIT SWITCH ARM	143	C24	RAILINGS	80
F6	LIMIT SWITCHES.....	143	C11	REAR AXLE	67
D6	LINES, AIR CONDITIONER.....	88	C14	REAR AXLE CONTROL ARM	70
C4	LINES, BRAKE	58	C9	REAR AXLE FRAME	64
F18	LINES, LEVELING SYSTEM	156	C9	REAR AXLE SUPPORT	64
E19	LINKAGE, REVERSER CONTROL CABLE	130	C12	REAR WHEELS AND SPINDLES	68
B1	LINKAGE, THROTTLE	26	D6	RECEIVER	88
C16	LINKS, CONNECTING, BALANCE BEAM.....	72	E22	REINFORCEMENT, GRAIN TANK	134
D3	LOWER DOOR, L.H.	84	E19	REVERSER CONTROL CABLES AND LINKAGE	130
M					
A21	MANIFOLD SHIELD	20	E17	REVERSER GEAR BOX	128
F5	MERCURY SWITCH.....	142	G3	RIGHT-HAND DECALS	166
N					
O					
P					
R					

A8

7722 COMBINE

ALPHABETICAL INDEX - CONTINUED

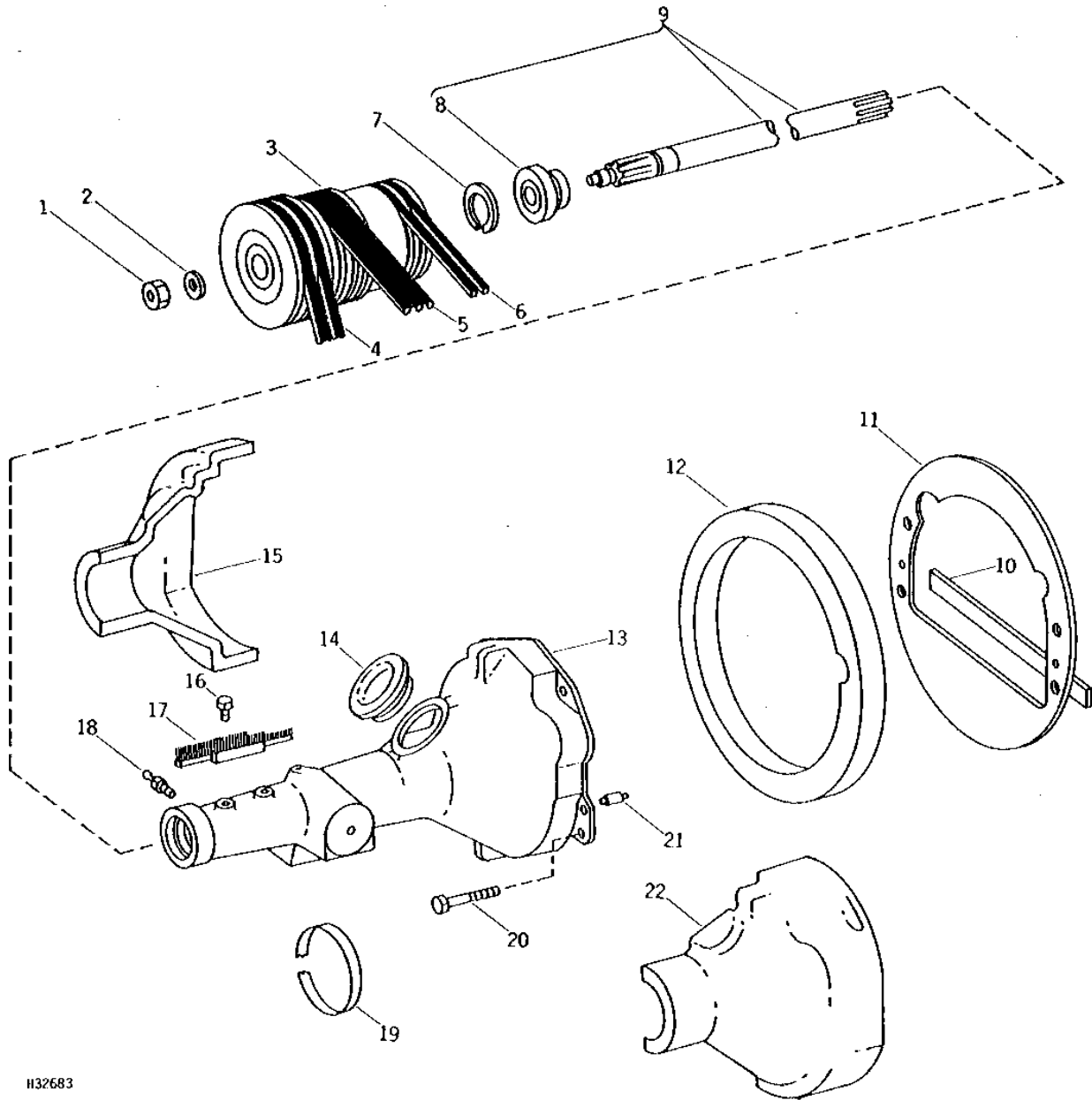
GRID		PAGE	GRID		PAGE
S					
D11	SAFETY CHAIN, PLATFORM DRIVE SHAFT	94	C1	SUPPORT, HYDRO. DR. AND LEVEL OIL RESERVOIR.....	54
D1	SEALS, CAB DOORS	82	C9	SUPPORT, REAR AXLE	64
C22	SEPARATOR RIGHT-HAND SHIELD	78	F3	SUPPORT, UNLOADING AUGER SWIVEL SHROUD	140
C21	SEPARATOR SIDE SHEET, L.H.	77	B1	SUPPORTS, CABLE.....	26
C20	SEPARATOR SIDE SHEET, R.H.	76	D5	SUPPORTS, COMPRESSOR	87
D13	SHAFT, CROSS AUGER DRIVE (HS)	96	B24	SUPPORTS, HYDROSTATIC DRIVE UNIT	53
E5	SHAFT, FEEDER CONVEYOR IDLER	114	C18	SWING ARMS	74
E15	SHAFT, FEEDER HOUSE LOWER	126	F5	SWITCH BOX, LEVELING CONTROL	142
B19	SHAFT, FINAL DRIVE	46	F8	SWITCH, LEVELING CAB	146
B21	SHAFT, FINAL DRIVE	49	F17	SWITCH, LEVELING SYSTEM FILTERS	155
E13	SHAFT, UPPER, FEEDER HOUSE.....	124	F6	SWITCHES, LIMIT	143
B16	SHAFTS, DIFFERENTIAL	42	F3	SWIVEL SHROUD, HORIZONTAL UNLDG. AUGER	140
D16	SHAFTS, FEEDER BEATER	100	T		
B4	SHEAVE, ALTERNATOR	29	E22	TANK, GRAIN	134
D15	SHEAVE, CUTTERBAR DRIVE (HS)	98	F11	TESTER, LEVELING SYSTEM	149
A9	SHEAVE, ENGINE POWERSHAFT.....	8	B1	THROTTLE LINKAGE	26
E15	SHEAVE, FEEDER HOUSE LOWER	126	C8	TIE RODS, STEERING	63
B24	SHEAVE, HYDROSTATIC DRIVE UNIT	53	F24	TIGHTENERS, ENGINE	162
F24	SHEAVES, ENGINE	162	B8	TRANSM. AND DIFFERENTIAL SHIFTER FORKS	34
G1	SHEAVES, HYDROSTATIC GROUND DRIVE	164	B9	TRANSMISSION AND DIFFERENTIAL HSG SHIFTER CAM	35
G1	SHEAVES, LEVELING SYSTEM DRIVE.....	164	B9	TRANSMISSION AND DIFFERENTIAL HSG GASKET	35
F3	SHEET, FRONT, UNLDG AUGER SWIVEL SHROUD.....	140	B8	TRANSMISSION AND DIFFERENTIAL HSG.....	34
E24	SHEET, GRAIN TANK	136	B9	TRANSMISSION AND DIFFERENTIAL HSG. COVER.....	35
F3	SHEET, SIDE, UNLDG AUGER SWIVEL SHROUD.....	140	B12	TRANSMISSION BEARINGS.....	38
E1	SHEETS, BOTTOM, FEEDER HOUSE	110	B12	TRANSMISSION GEARS	38
D23	SHEETS, TOP, FEEDER HOUSE	108	B12	TRANSMISSION PINION SHAFT	38
A21	SHIELD MANIFOLD	20	B10	TRANSMISSION, COUNTERSHAFT	36
D13	SHIELD, CROSS AUGER DRIVE (HS).....	96	B10	TRANSMISSION, GEARS AND BEARINGS	36
D15	SHIELD, CUTTERBAR DRIVE (HS)	98	B10	TRANSMISSION, INPUT SHAFT.....	36
B6	SHIELD, FAN DRIVE	32	C11	TUBE, REAR AXLE	67
B6	SHIELD, HYDROSTATIC GROUND DRIVE	32	A22	TUBES, AIR INTAKE	21
D11	SHIELD, PLATFORM DRIVE SHAFT	94	A25	TUBES, AIR INTAKE	25
C23	SHIELD, SEPARATOR, R.H.	79	U		
C22	SHIELD, SEPARATOR, RIGHT-HAND	78	F3	UNLDG. AUGER, SWIVEL SHROUD, HORIZONTAL	140
E9	SHIELD,FEEDER HOUSE,(R.H.).....	119	V		
D16	SHIELDS, FEEDER BEATER	100	F7	VALVE, SOLENOID, LEVELING	145
D19	SHIELDS, FEEDER BEATER DRIVE	104	W		
E10	SHIELDS, FEEDER HOUSE (L.H.)	120	C3	WHEEL BRAKES	57
B9	SHIFTER CAM, TRANSMISSION AND DIFFERENTIAL HOUSING	35	B5	WHEELS, DRIVE	31
B8	SHIFTER FORKS,TRANSM. AND DIFFERENTIAL	34	F1	WINDOW, GRAIN TANK EXTENSION	138
A15	SHROUD, FAN	14	F10	WIRING HARNESS, LEVELING SYSTEM	148
F3	SHROUD, SWIVEL, HORIZONTAL UNLDG AUGER	140	Y		
B3	SHUT-OFF CONTROL, FUEL	28	B21	YOKE, FINAL DRIVE SHAFT	49
C21	SIDE SHEET, SEPARATOR, L.H.	77	D11	YOKE, PLATFORM DRIVE SHAFT.....	94
C20	SIDE SHEET, SEPARATOR, R.H.	76			
E3	SIDE SHEETS, FEEDER HOUSE	112			
E24	SKIRTS, GRAIN TANK.....	136			
D18	SLIP CLUTCH, FEEDER BEATER	103			
D18	SLIP CLUTCH, FEEDER BEATER DRIVE	103			
F7	SOLENOID VALVE, LEVELING.....	145			
C12	SPINDLE, L.H., REAR WHEELS	68			
C12	SPINDLE, R.H., REAR WHEELS	68			
C12	SPINDLES AND REAR WHEELS	68			
E22	SPRING, LATCH, GRAIN TANK	134			
D13	SPROCKET, CROSS AUGER DRIVE (HS)	96			
D19	SPROCKET, FEEDER BEATER	104			
E7	SPROCKET, FEEDER CONVEYOR DRIVE CHAIN.....	116			
E13	SPROCKET, UPPER, FEEDER HOUSE.....	124			
C7	STEERING CYLINDER KIT	61			
C8	STEERING TIE RODS	63			
C1	STRAINER, HYDRO. DR. AND LEVEL OIL RESERVOIR.....	54			
E22	STRAP, GRAIN TANK	134			

A9

7722 COMBINE

H32683 -UN-01JAN94

ENGINE POWERSHAFT



H32683

THIS PARTS LISTING IS CONTINUED

A10

7722 COMBINE

ENGINE POWERSHAFT - CONTINUED

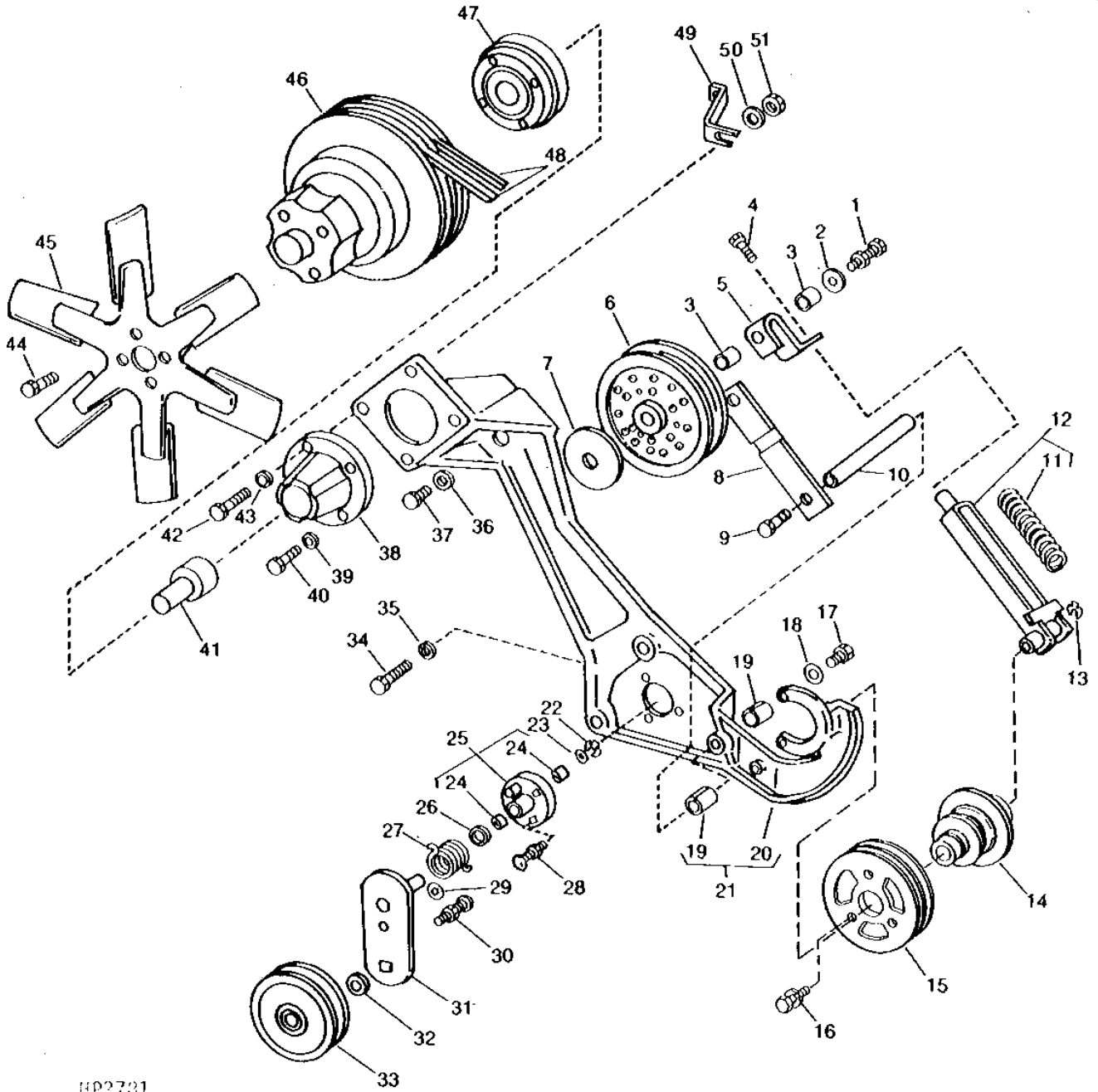
KEY	PART NO.	PART NAME	QTY	SERIAL NO.	REMARKS
1	H93931	LOCK NUT	1		
2	24H1509	WASHER	1		1-25/64" X 2-1/2" X 0.194"
3	H94981	SHEAVE	1		223 MM (8-25/32"), 250 MM (9-27/32"), AND 340 MM (13-13/32") DIAS. (MATCHED SET OF 2)
4	AH84633	BELT SET	1		
5	H108175	BELT	1		
6	AH96300	BELT SET	1		(MATCHED SET OF 2)
7	BP13615	SNAP RING	1	-620249	
	F2622R	SNAP RING	1	620250-	
8	JD8682	BALL BEARING	1	-620249	
	JD8683	BALL BEARING	1	620250-	
9	AH94719	SHAFT	1	-620249	
	AH125745	SHAFT	1	620250-	
10	SEAL	1		32 MM X 508 MM X 3 MM (7-1/4" X 20" X 1/8") (CUT FROM H88771)
11	H86930	PLATE	1		
12	H92622	ISOLATOR	1		
13	H95878	HOUSING	1	-620249	
	H130475	HOUSING	1	620250-	
14	H76728	COVER	1		
15	AH94737	COVER	1		FRONT (FOAM INSULATION)
16	N10212	SELF-LOCKING SCREW	2		
17	AH96578	SEAL	1	-620249	
	AH96231	BRUSH	1	620250-	
18	JD7797	LUBRICATION FITTING	1		STRAIGHT, 1/4"
19	TY5030	TAPE	AR		VINYL, 2" WIDTH
20	19H1782	CAP SCREW	4		3/4" X 2-1/4"
	12H236	LOCK WASHER	4		3/4"
21	H79910	DOWEL PIN	2		
22	AH94738	COVER	1		REAR (FOAM INSULATION)

A11

7722 COMBINE

HP2781 -UN-01JAN94

RADIATOR FAN DRIVES AND IDLER



HP2781

A12

7722 COMBINE

RADIATOR FAN DRIVES AND IDLER - CONTINUED

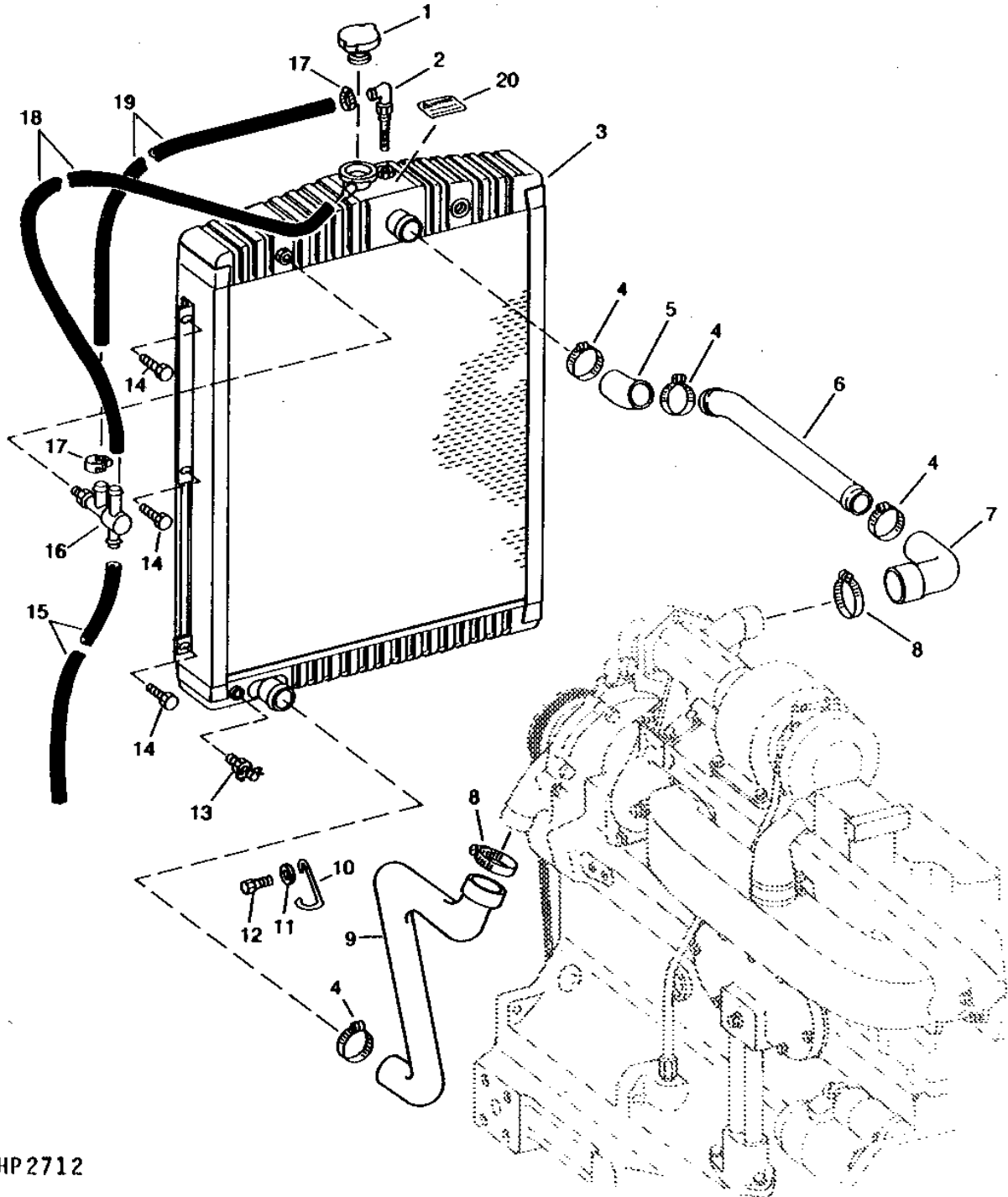
KEY	PART NO.	PART NAME	QTY	SERIAL NO.	REMARKS
1	19H1992	CAP SCREW	1	1/2" X 4"	
	14H1040	NUT	1	1/2"	
2	24H1111	WASHER	1	17/32" X 1-1/16" X 0.090"	
3	L3378N	BUSHING	1		
4	19H2471	CAP SCREW	1	3/8" X 1-1/2"	
5	H98922	CLEVIS	1		
6	AH96292	SHEAVE	1		
7	H80228	WASHER	1		
8	H98921	ARM	1		
9	N164635	SELF-LOCKING SCREW	1		
10	H97636	PIN	1		
11	SPRING	1		
12	AH97099	SPRING	1		
13	T40189	SNAP RING	1		
14	AH126667	IDLER	1		
15	H131779	SHEAVE	1		
16	19H1134	CAP SCREW	3	3/8" X 3/4"	
	12H304	LOCK WASHER	3	3/8"	
17	19H1792	CAP SCREW	1	1/2" X 1"	
18	24H1789	WASHER	1	17/32" X 1-1/4" X 0.105"	
19	H87502	BUSHING	2		
20	SUPPORT	1	(MARKED H97631)	
21	AH96294	LEVER	1		
22	H86839	SNAP RING	1		
23	24H1362	WASHER	1	41/64" X 1" X 0.075"	
24	H96455	BUSHING	2		
25	AH95011	HUB	1		
26	H96251	WASHER	1		
27	H86264	TORSION SPRING	1		
28	03H1790	BOLT	3	5/16" X 1-1/2"	
	N10213	LOCK NUT	1		
29	H86886	NUT	1		
30	03H1764	BOLT	1	1/2" X 1-3/4"	
	12H301	LOCK WASHER	1	1/2"	
	14H1040	NUT	1	1/2"	
31	AH96492	ARM	1		
32	H88355	WASHER	1		
33	AH77172	IDLER	1		
34	19H1974	CAP SCREW	2	1/2" X 2-3/4"	
35	12H301	LOCK WASHER	2	1/2"	
36	R69536	WASHER	1		
37	19H3031	CAP SCREW	1	3/8" X 2-1/2"	
38	H102177	HUB	1		
39	24H1305	WASHER	3	13/32" X 13/16" X 0.065"	
40	19H1800	CAP SCREW	3	3/8" X 1-1/2"	
41	JD10058	BEARING	1		
42	19H3162	CAP SCREW	1	3/8" X 2"	
43	24H1305	WASHER	1	13/32" X 13/16" X 0.065"	
44	R73888	CAP SCREW	4		
45	AH108059	FAN	1		
46	H102181	SHEAVE	1		
47	H102182	HUB	1		
48	AH96333	BELT SET	1	(MATCHED SET)	
49	H99532	REINFORCEMENT	1		
50	24H1682	WASHER	1	13/32" X 7/8" X 0.120"	
51	N10215	LOCK NUT	1		

A13

7722 COMBINE

HP2712 -UN-01JAN94

RADIATOR AND HOSES



HP2712

A14

7722 COMBINE

RADIATOR AND HOSES - CONTINUED

KEY	PART NO.	PART NAME	QTY	SERIAL NO.	REMARKS
1	AH91460	CAP	1		(INCLUDED IN AH124728)
2	AR86098	ELBOW FITTING	1		
3	AH120373	RADIATOR	1	-620249	(WITH CAP AND OVERFLOW HOSE) (SUB AH124728)
	AH124728	RADIATOR	1		(INCLUDES AH91460, H86772 AND A2913R)
4	AR21840	CLAMP	4		
5	H84565	HOSE	1		
6	H96615	LINE	1		
7	H84564	HOSE	1		
8	AR21999	CLAMP	2		
9	H113857	HOSE	1		
10	H105229	RETAINER	1		
11	24H1312	WASHER	1		13/32" X 1-3/8" X 0.105"
12	H76139	SCREW	1		
13	AT13740	DRAIN VALVE	1		
14	N10214	SELF-LOCKING SCREW	6		
15	H86772	HOSE	1		(INCLUDED IN AH124728)
16	AR85932	VALVE	1		
17	AR77962	CLAMP	2		
18	H92726	HOSE	1		
19	R32640	HOSE	1		(CUT TO LENGTH)
20	A2913R	LABEL	1		(INCLUDED IN AH124728)

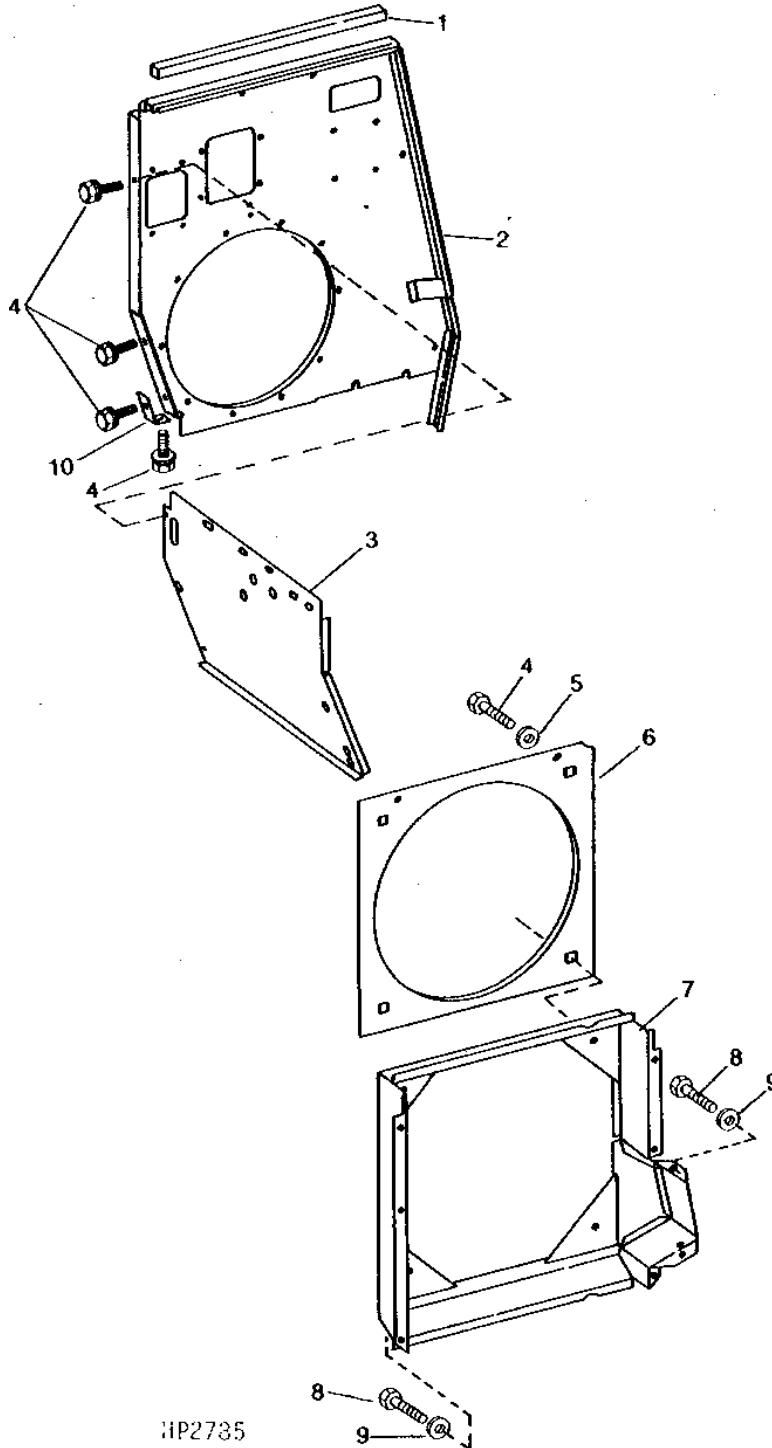
A15

7722 COMBINE

HP2785

-UN-01JAN94

FAN SHROUD AND FIREWALL



A16

7722 COMBINE

FAN SHROUD AND FIREWALL - CONTINUED

KEY	PART NO.	PART NAME	QTY	SERIAL NO.	REMARKS
1	SEAL	1		775MM (30-1/2")(CUT FROM H88769)
2	AH101522	FIREWALL	1		
3	AH95982	SHEET	1		REAR WALL
4	H76139	SCREW	8		SELF-TAPPING
5	24H1300	WASHER	4		25/64" X 2" X 0.220"
6	H98097	SHROUD	1		
7	AH112234	SHROUD	1		
8	N10214	SELF-LOCKING SCREW	8		
9	24H1307	WASHER	8		13/32" X 1" X 1/16"
10	H101519	STRAP	1		

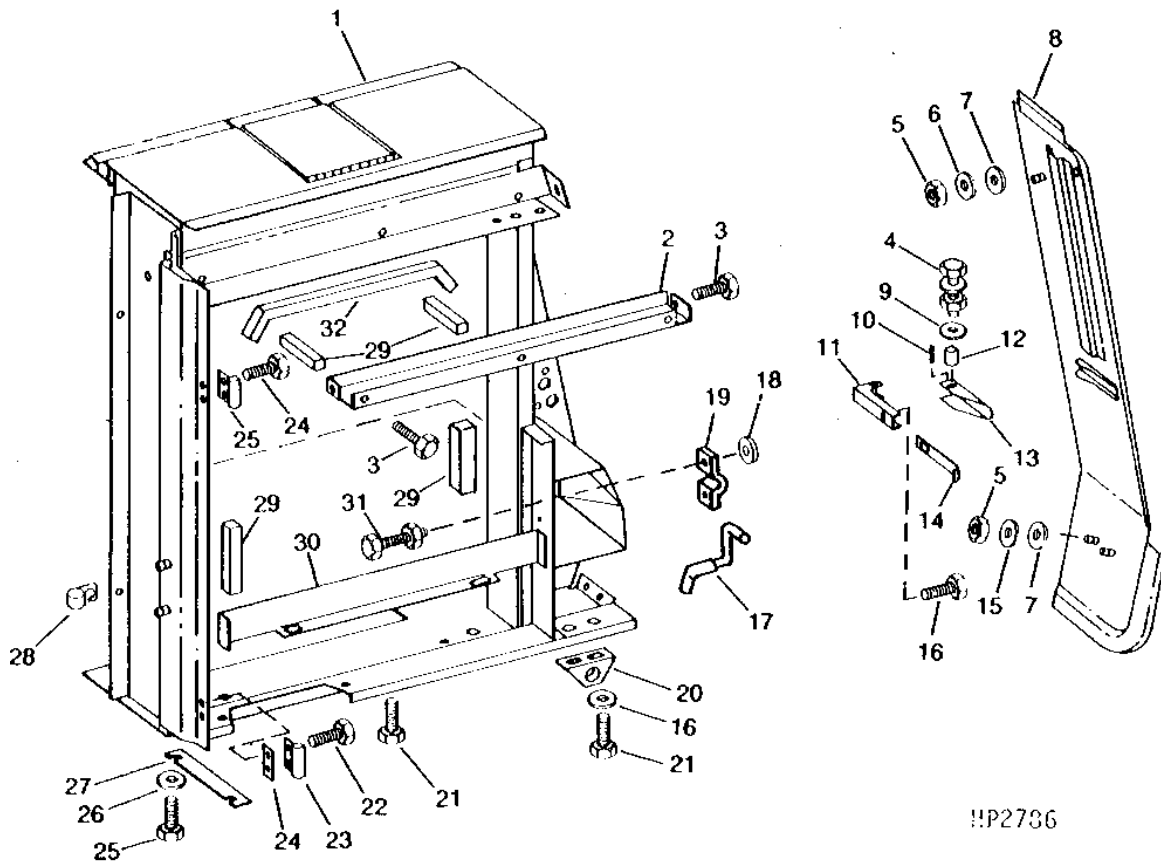
A17

7722 COMBINE

HP2786

-UN-01JAN94

CORNER FRAME AND FRONT PANEL



A18

7722 COMBINE

CORNER FRAME AND FRONT PANEL - CONTINUED

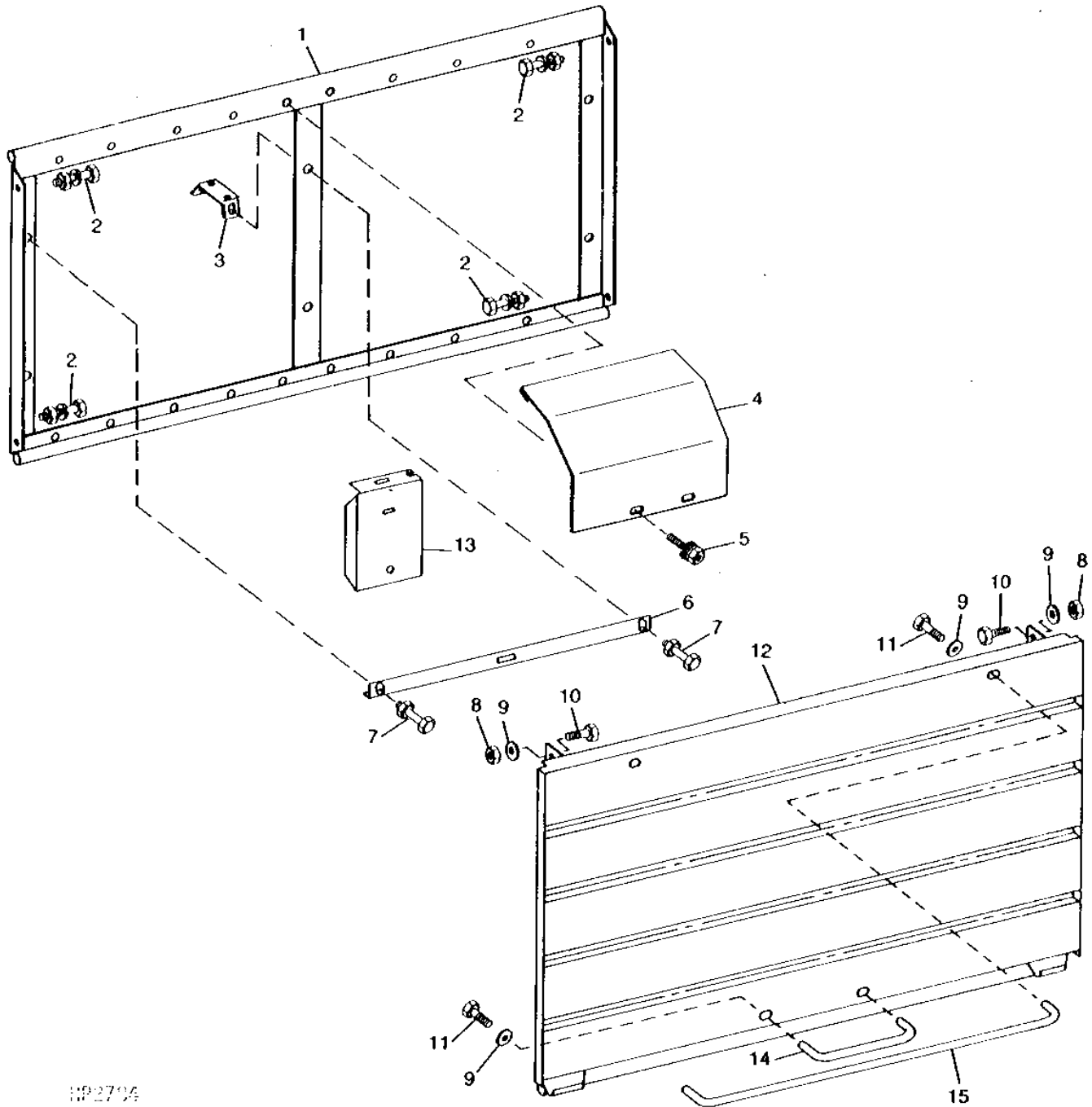
KEY	PART NO.	PART NAME	QTY	SERIAL NO.	REMARKS
1	AH91277	FRAME	1		
2	H86477	REINFORCEMENT	1	TOP	
3	H65108	SCREW	7		
4	21H1045	SCREW	1	1/4" X 2"	
	12H302	LOCK WASHER	1	1/4"	
	14H786	NUT	1	1/4"	
5	BP12232	LOCK NUT	3		
6	24H1136	WASHER	1	11/32" X 11/16" X 0.065"	
7	T12191	WASHER	3		
8	AH90893	PANEL	1		
9	24H1287	WASHER	1	9/32" X 5/8" X 0.065"	
10	34H64	SPRING PIN	1	5/32" X 1-1/2"	
11	H89313	BRACKET	1		
12	28H1955	BUSHING	1	0.269" X 0.405" X 1-15/32"	
13	H86493	HANDLE	1		
14	H89312	HOOK	1		
15	24H1136	WASHER	7	11/32" X 11/16" X 0.065"	
16	03H1416	BOLT	1		
17	AH110420	PIN	1		
18	24H1136	WASHER	2	11/32" X 11/16" X 0.065"	
19	H100730	CLAMP	1		
20	H99937	BRACKET	1		
21	N71292	SELF-LOCKING SCREW	4		
22	N71292	SELF-LOCKING SCREW	2		
	N10212	SELF-LOCKING SCREW	2		
23	H94605	HINGE	2		
24	H86523	STRAP	2		
25	N10214	SELF-LOCKING SCREW	2		
26	24H1305	WASHER	2	13/32" X 13/16" X 0.065"	
27	H85345	STRAP	AR		
28	AH83545	CLIP	1		
29	SEAL	4	27MM X 27MM X 76MM (1-1/16" X 1-1/16" X 3") (CUT FROM H88770)	
30	H86453	REINFORCEMENT	1	BOTTOM	
31	21H1071	SCREW	2	5/16" X 5/8"	
	N10213	LOCK NUT	2		
32	SEAL	1	90MM (29-5/8")(CUT FROM H88769)	

A19

7722 COMBINE

HP2784 -UN-01JAN94

ENGINE COMPARTMENT MIDDLE DOOR AND FRAME



HP2794

A20

7722 COMBINE

ENGINE COMPARTMENT MIDDLE DOOR AND FRAME - CONTINUED

KEY	PART NO.	PART NAME	QTY	SERIAL NO.	REMARKS
1	AH113369	FRAME	1		
2	19H1900	CAP SCREW	4	5/16" X 3/4"	
	12H303	LOCK WASHER	4	5/16"	
	14H785	NUT	4	5/16"	
3	H116068	STRAP	1		
4	H97922	SHIELD	1		
5	H76139	SCREW	4		
6	H130467	SUPPORT	1		
7	N10212	SELF-LOCKING SCREW	4		
	N10213	LOCK NUT	4		
8	M40699	NUT	2		
9	24H1136	WASHER	6	11/32" X 11/16" X 0.065"	
10	19H2127	CAP SCREW	2	5/16" X 7/8"	
11	19H1849	CAP SCREW	4	5/16" X 1-1/4"	
	12H303	LOCK WASHER	4	5/16"	
12	AH93565	DOOR	1		
13	H130468	DEFLECTOR	1		
14	H86349	HANDRAIL	1	LOWER	
15	H86348	HANDRAIL	1	UPPER	